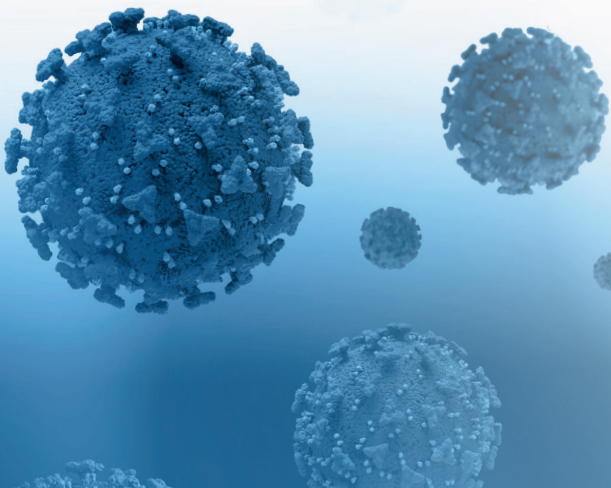




# eco<sub>3</sub>

Air purifier



TESTED BY  
**SGS**

Prevention and  
Environment division

# eco<sub>3</sub>

## Air purifier



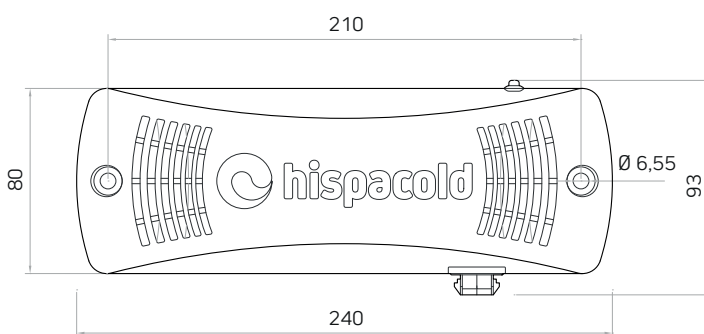
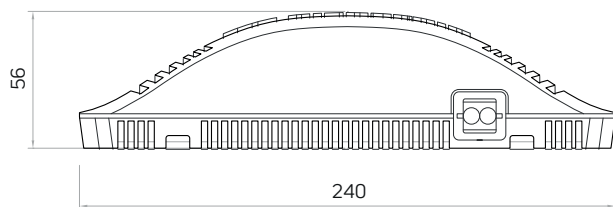
### CHARACTERISTICS

- > Eliminates bad odours.
- > Eliminates harmful elements present in bioaerosols such as bacteria, viruses (including SARS-CoV-2), mould, allergens and germs.
- > Increases the concentration of oxygen to maintain healthy air levels and prevent the sensations of being unable to breathe indoors
- > Reduces driver drowsiness.
- > Reduces the risk of infection.
- > Avoids dizziness and nausea in passengers.
- > It can be fitted in new equipment or in systems already in operation.
- > Removes dust in the air.
- > Eliminates certain pollutant gases.

*\*The Biological Defence area of the Defence Systems Department (NBQ/CBN (Eng)) at the National Institute of Aerospace Technology, INTA, depended of the Defense Ministry of the Government of Spain, field tested a 15-metre coach fitted with the eco3 air purifier where the virus MS2 was present.*

### DATA SHEET

Voltage	24 VDC
Consumption	40 mA
Weight	230 g
Temperature range	from -10 °C a +65 °C
Service Life	20.000 h
Minimum required air speed	0,3 m/s
Electromagnetic Compatibility ECE No 10 R5	
Generation of negative ions	$3 \times 10^6$ ions/cm <sup>3</sup>
Generation of Ozone	< 0,05 ppm



In collaboration with

